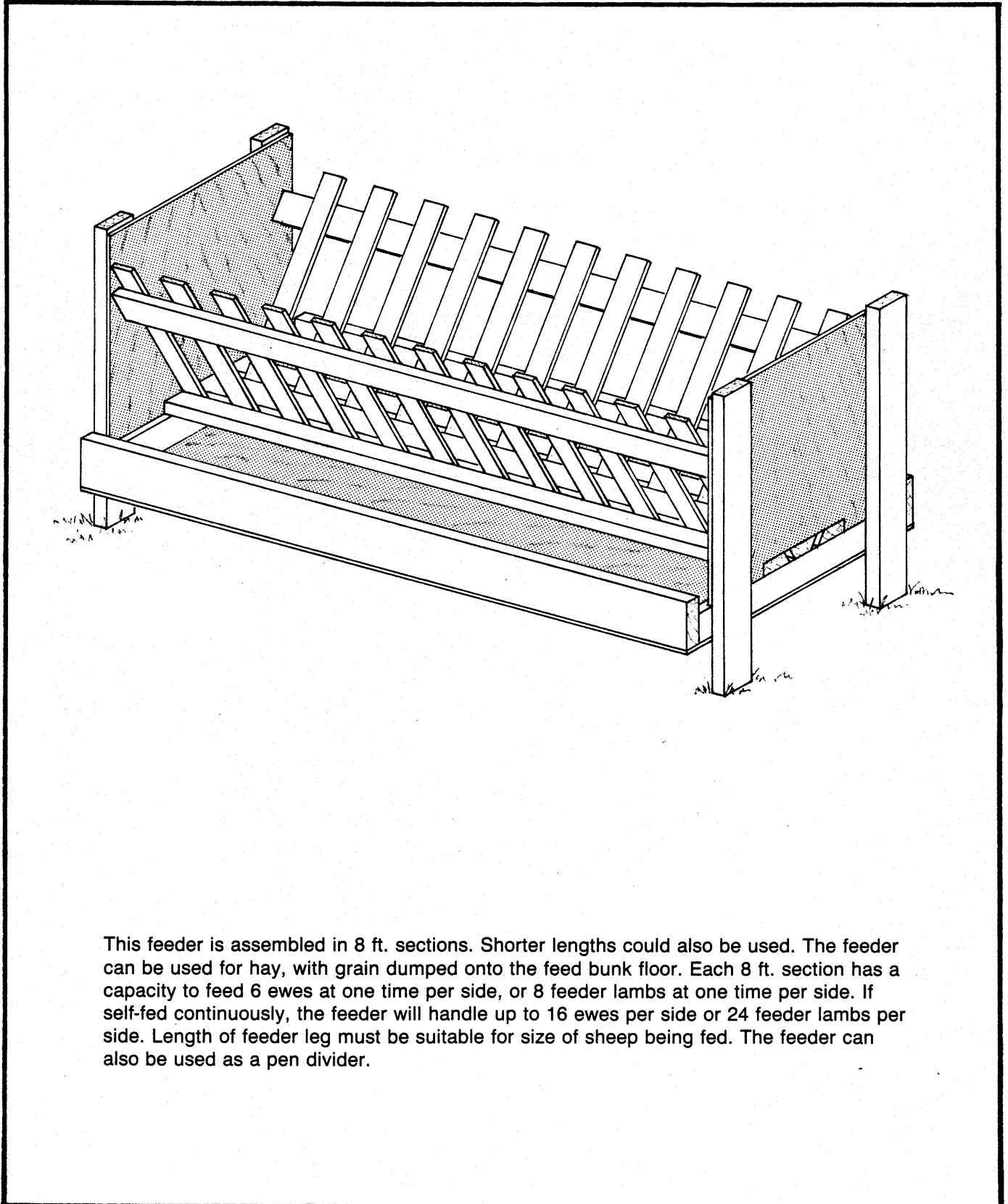


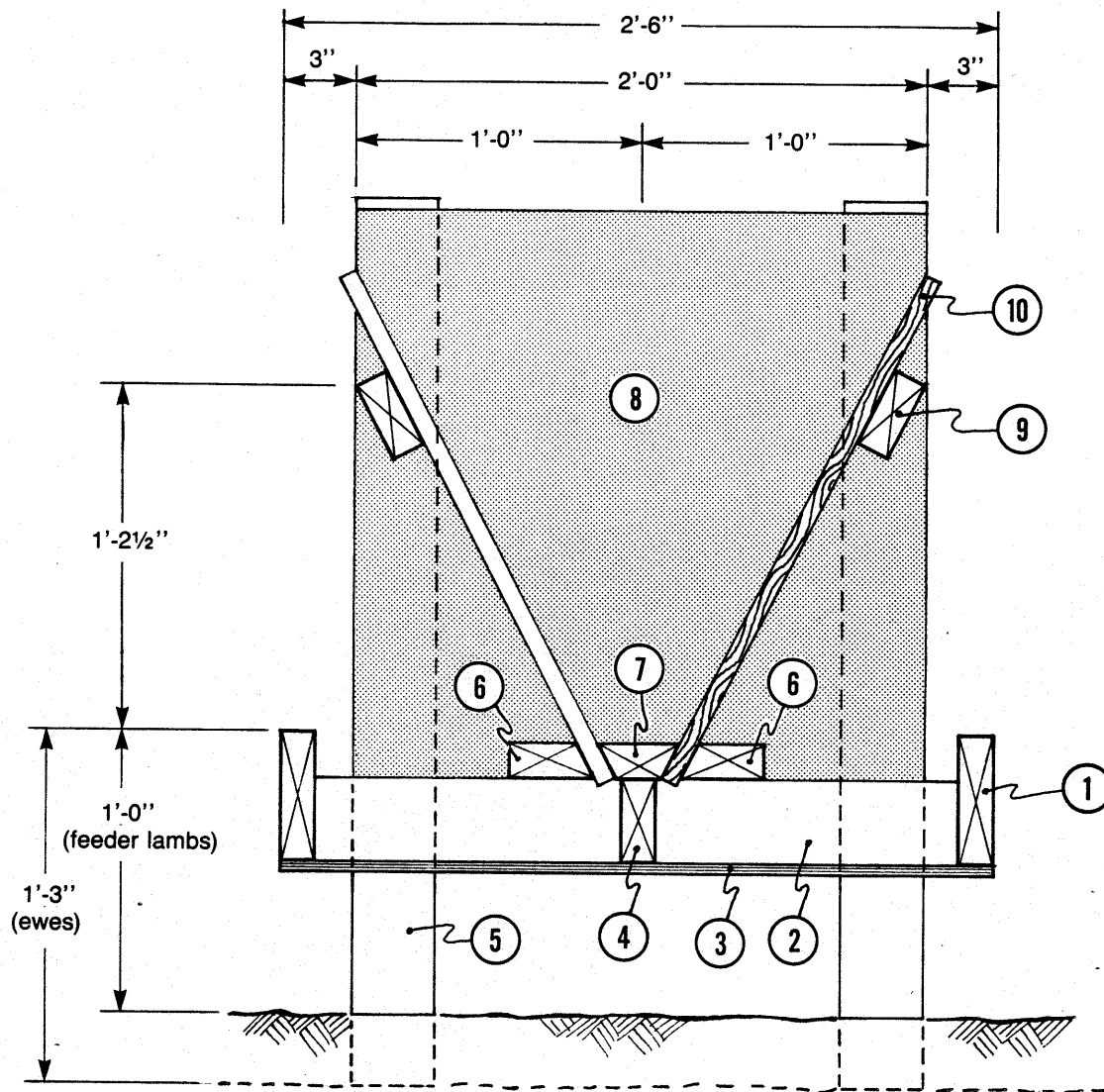


Leaflet Plan S-461

Hay and Grain Feeder for Sheep



This feeder is assembled in 8 ft. sections. Shorter lengths could also be used. The feeder can be used for hay, with grain dumped onto the feed bunk floor. Each 8 ft. section has a capacity to feed 6 ewes at one time per side, or 8 feeder lambs at one time per side. If self-fed continuously, the feeder will handle up to 16 ewes per side or 24 feeder lambs per side. Length of feeder leg must be suitable for size of sheep being fed. The feeder can also be used as a pen divider.



Cross Section

1. 2" x 6" x 8'-0" long
2. 2" x 4" x 2'-3" long; one at each end of feeder.
3. 1/2" thick x 2'-6" wide x 8'-0" long exterior grade plywood
4. 2" x 4" x 7'-9" long
5. 2" x 4" leg nailed to outside of (2) ; 2'-10 1/2" long for feeder lambs, 3'-1 1/2" long for ewes.
6. 2" x 4" x 8'-0" long; bevel to 2 3/4" at top; nail to (2)
7. 2" x 4" x 8'-0" long; bevel to 2" at bottom; nail to (2)
8. 1/2" thick x 2'-0" x 2'-0" exterior grade plywood; nail to inside of legs (5) ; notch at bottom for (6) and (7)
9. 2" x 4" x 7'-11" long support for slats (10)
10. 3/4" x 2 1/2" x 24" long slats spaced at 4 3/4" o.c. which provides a 3 1/2" opening between each slat; slats on one side of feeder are opposite openings on other side